
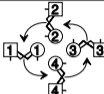
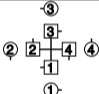

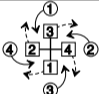

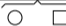

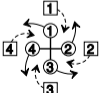

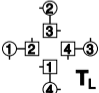
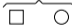

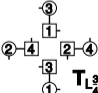


THE BLUE LIGHTS OF PIZZA EXPRESS

4x32 S

	<p style="text-align: center;"> 4 - 4 3 CHAIN 1 3 1 2 - 2 </p>	<p>Circular Knot ALL</p> <p style="text-align: center;">$T_{R1\frac{1}{4}}$</p> 	<p>ALL</p> <p style="text-align: center;">$T_{L1\frac{1}{4}}$</p>
 <p style="text-align: center;">RA</p> 	 <p style="text-align: center;">LA</p> 	 	
 <p style="text-align: center;">RA</p> 	 <p style="text-align: center;">T_L</p>	 <p style="text-align: center;">RA</p> 	 <p style="text-align: center;">$T_{L\frac{3}{4}}$</p>