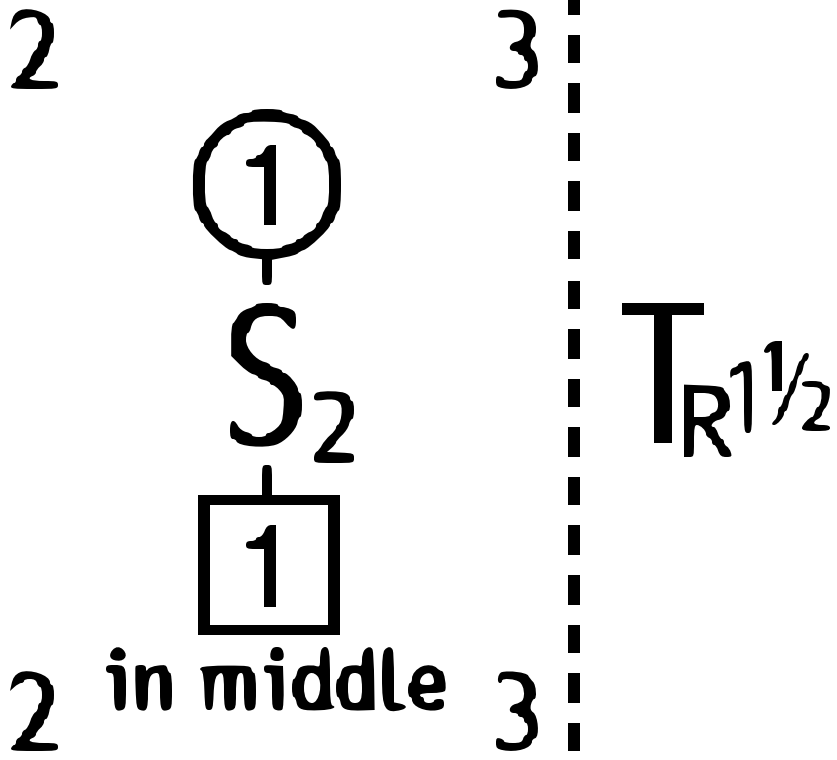
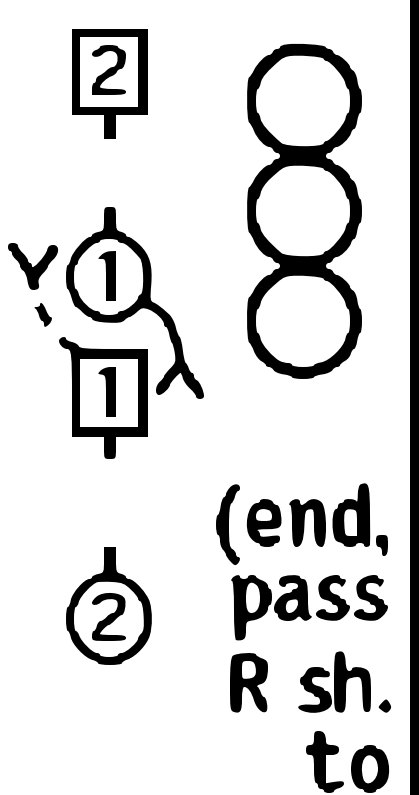
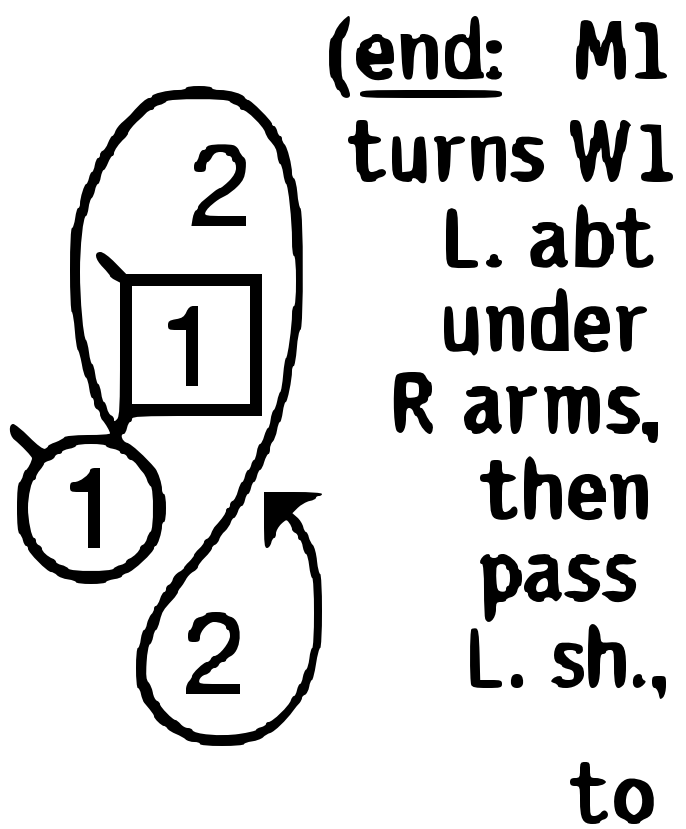
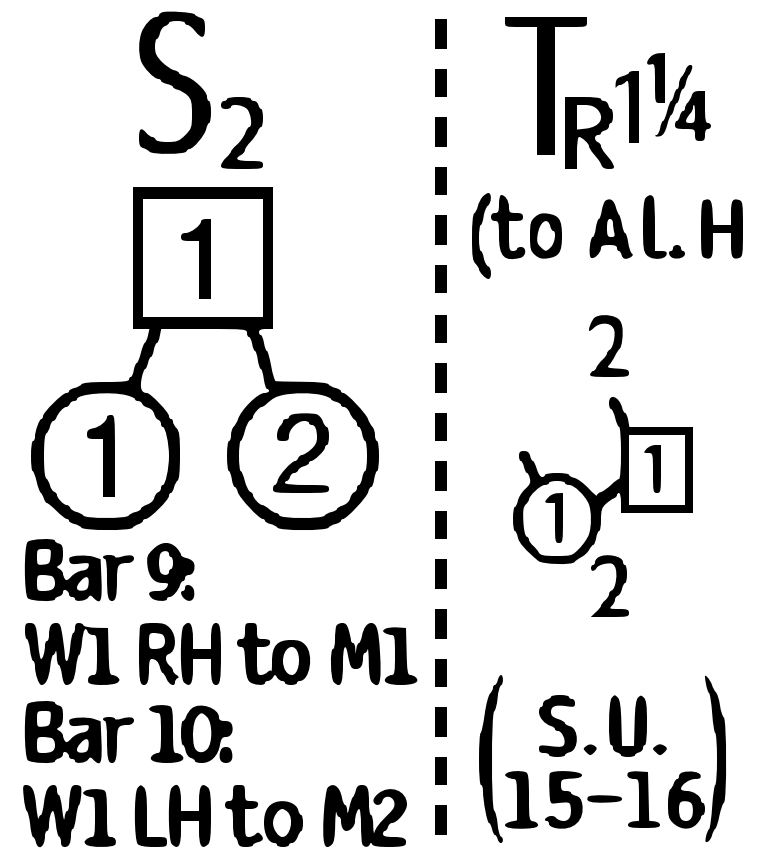
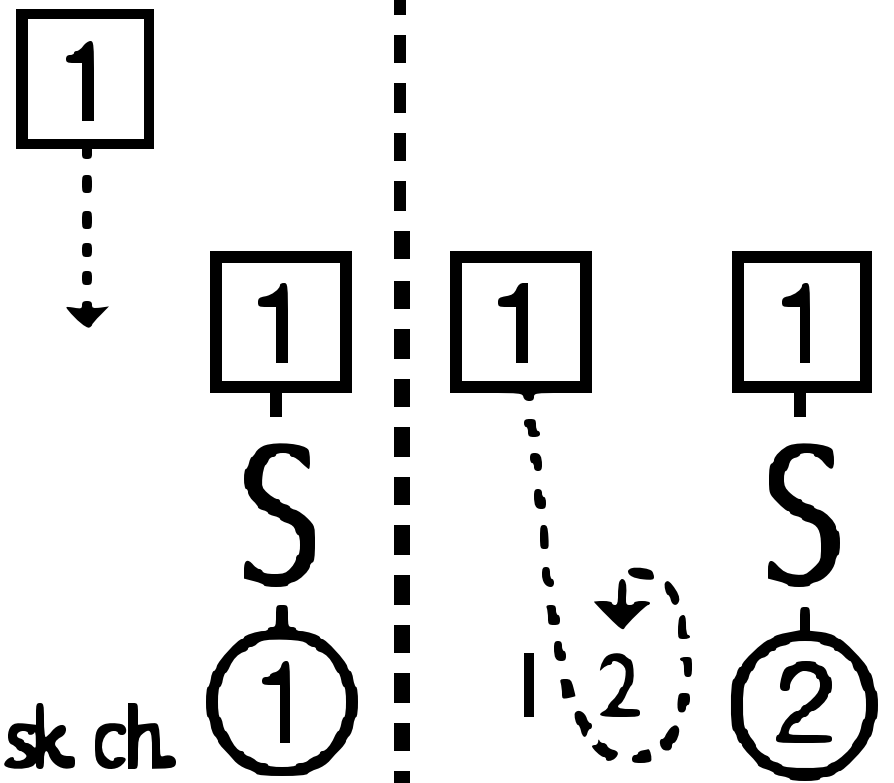


# JEANNIE O' THE WITCHIN' E'E

MacNab II

3

J40



$T_{R1\frac{1}{4}}$   
(to AL.H  
2  
1  
2  
(S.U.  
15-16)

$T_{R1\frac{1}{2}}$