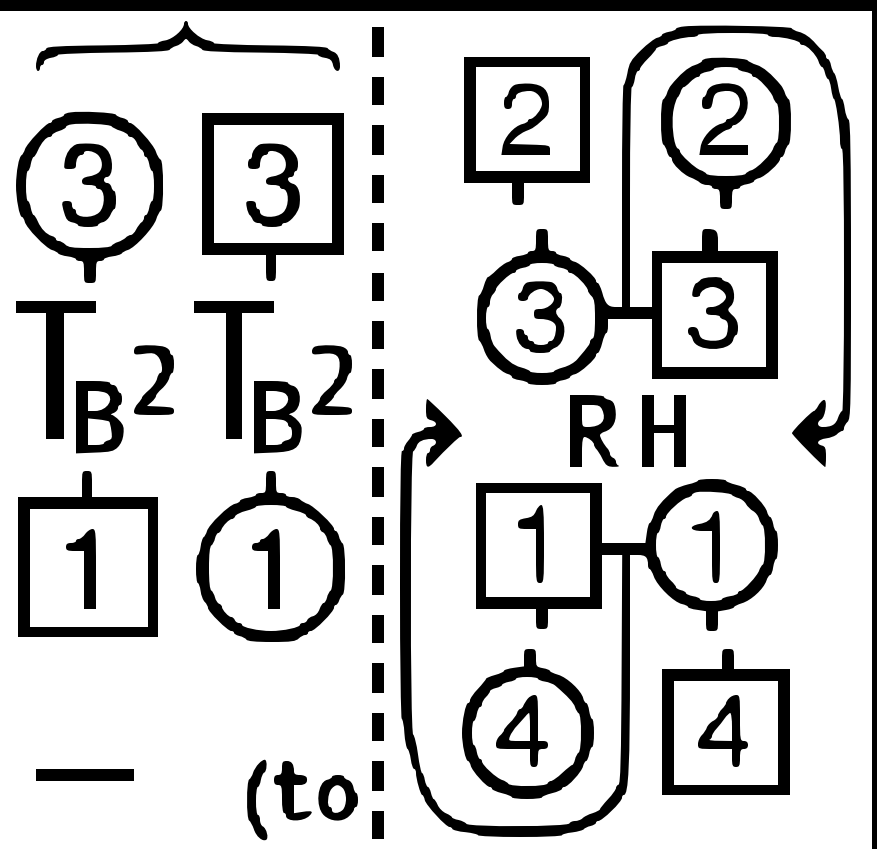
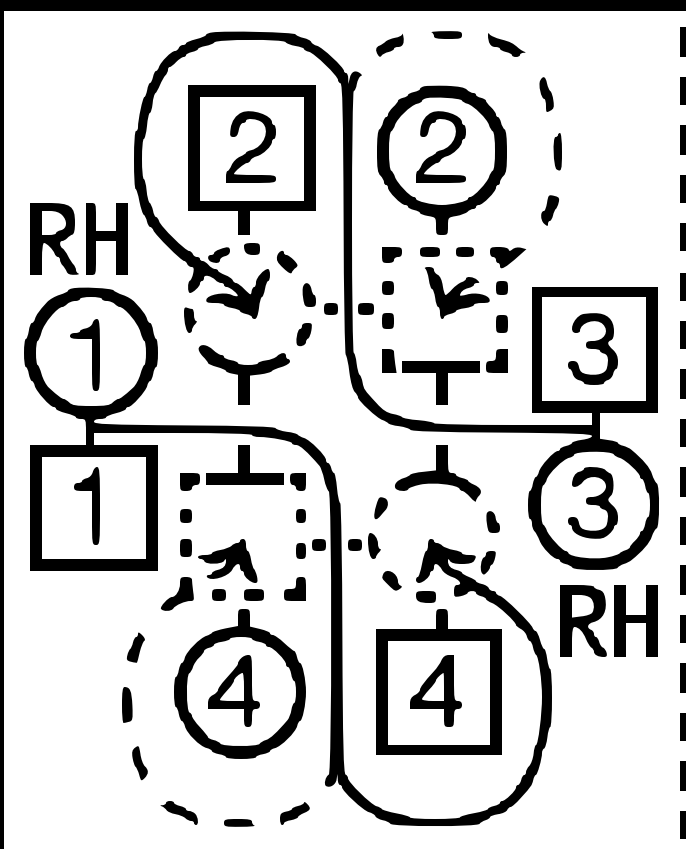
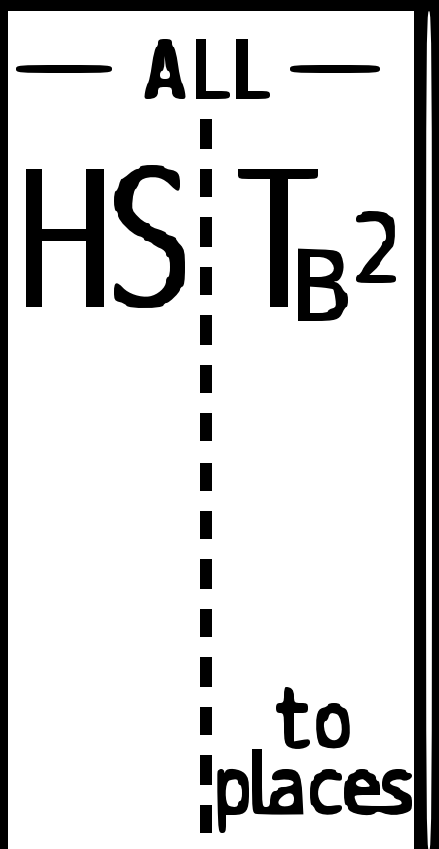
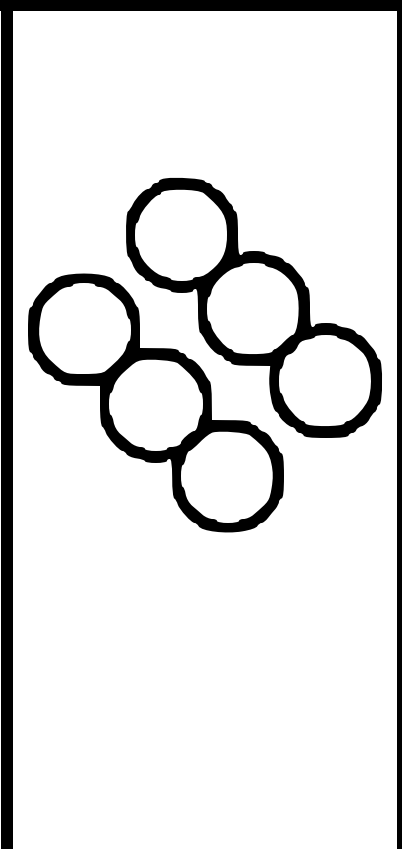
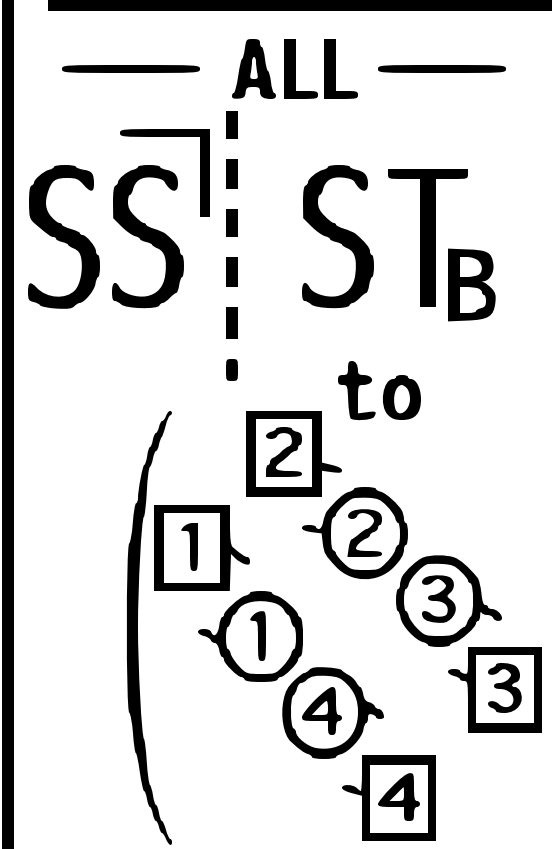
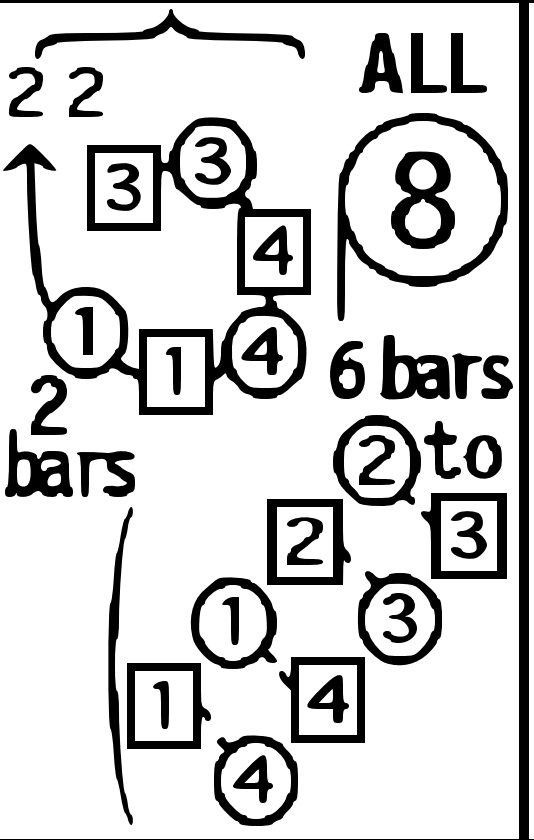
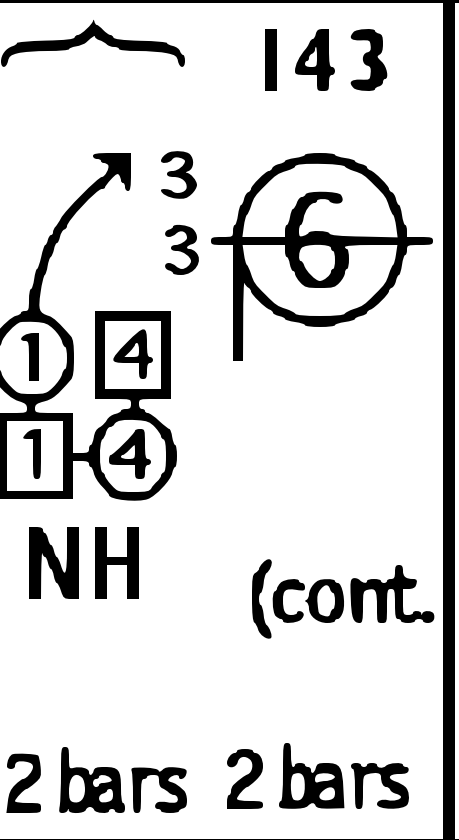
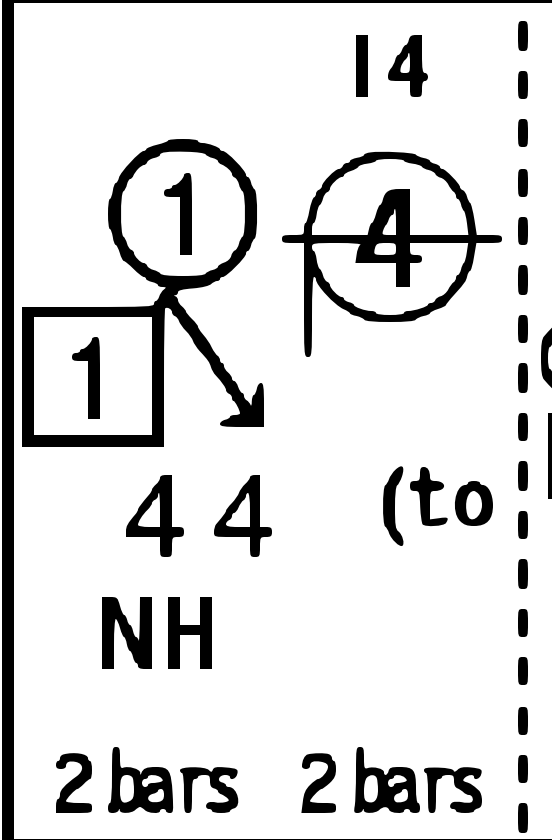
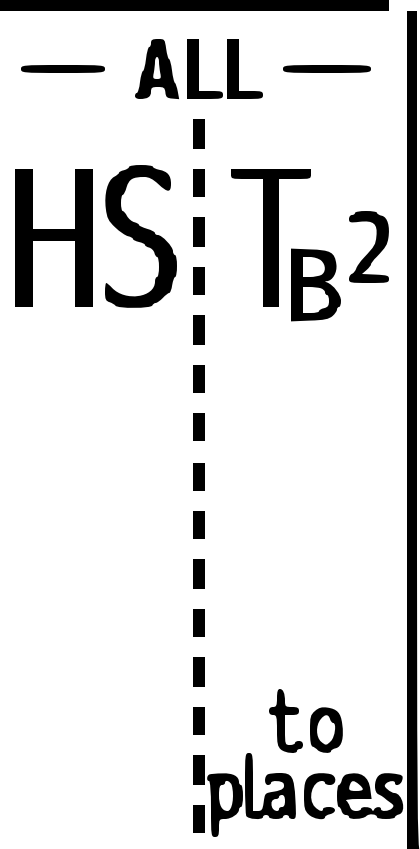


BRAES OF BALQUHIDDER [Square Set] ^(1s & 4s) _(2s & 3s) MacNab | 2 S128



24
R
1-16
2C
thru'
3C
4C
thru'
1C

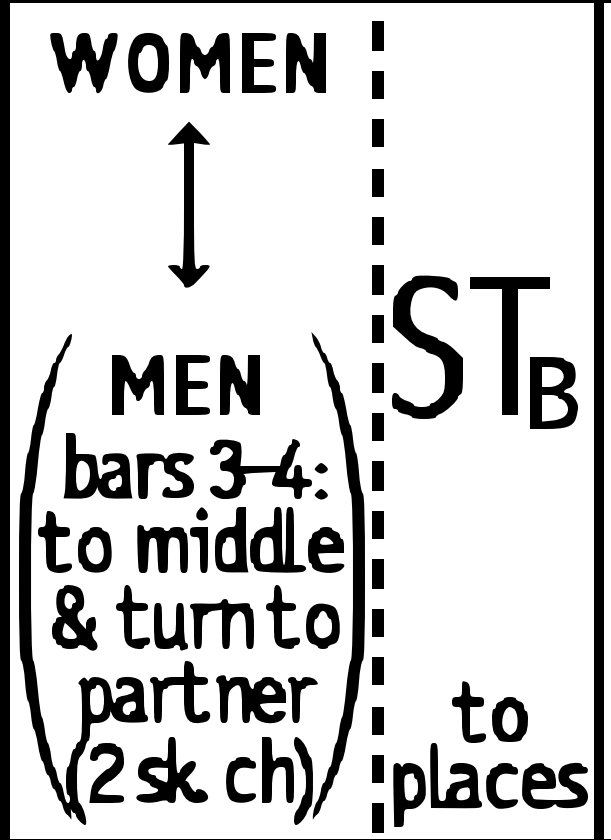
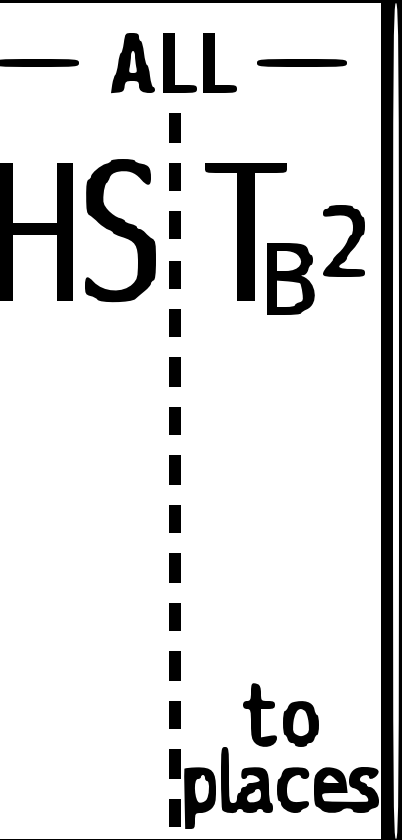
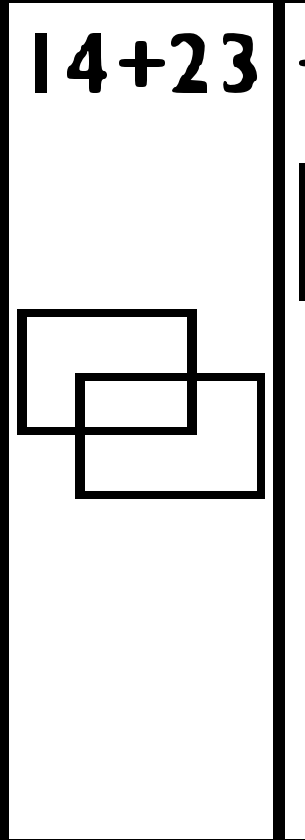


ALL

14+23

14+23

RA
LA



ALL

CHAIN

8 bars

